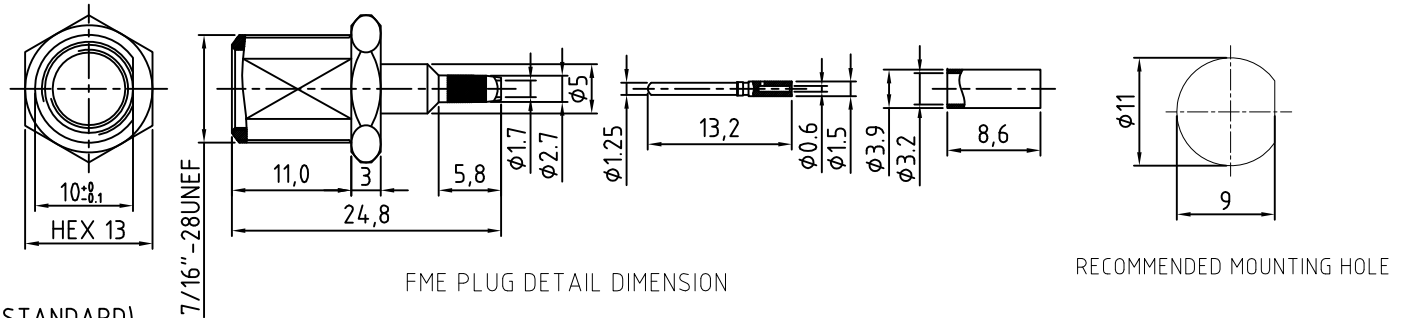
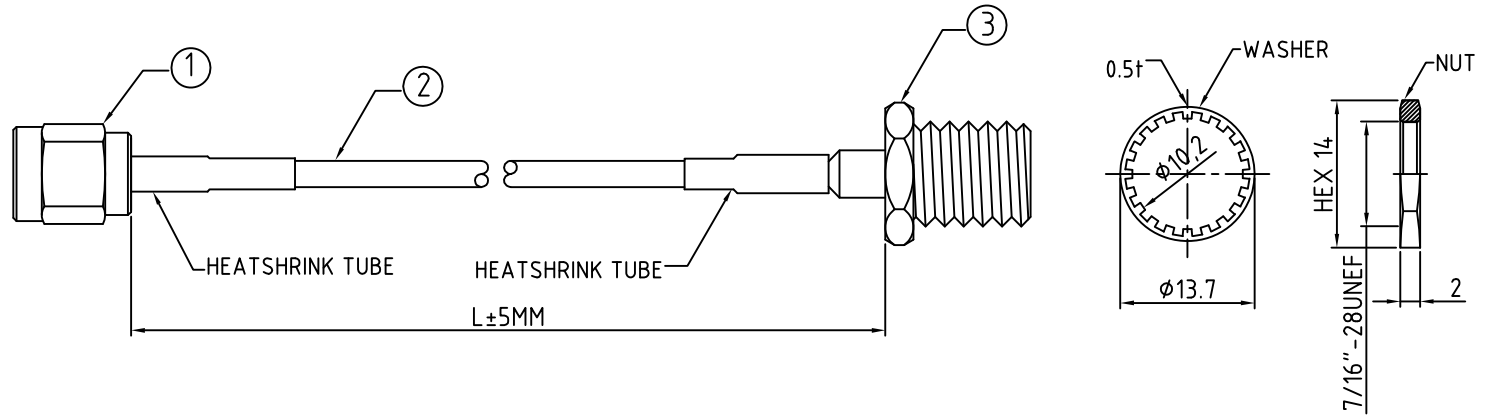


CABLE 072 RF: RF CABLE ASSEMBLY, SMA ST PLUG + FME BULK PLUG + RG174 CABLE - 3GHz

SPECIFICATIONS

1. SMA STRAIGHT PLUG (C01AA31174004A)
2. RG174 COAXIAL CABLE, BLACK
3. FME ST BULKHEAD PLUG (C29CB3F174001A), NICKEL

NOTES:  
1, ELECTRICAL  
WORKING FREQUENCY RANGE: DC-3GHz  $\Delta$



HOW TO ORDER  
CABLE 072 RF - X X X X - X

"L" LENGTH IN MM  
eg: 100MM = 0100  
(MIN. = 0050, MAX. = 2000  
STANDARD = 0100, 0150, 0200)

WASHER AND NUT OPTIONS:  
BLANK = SEPERATELY PACKED (STANDARD)  
A = ASSEMBLED WITH CONNECTOR

REV. DATE & DRN  
10 30/03/09 - CHC RELEASE  
11 26/08/09-PCY  
 $\Delta$  ADD WORKING FREQUENCY RANGE

Scale: NTS	THIRD ANGLE	Unstated .X .XX .XXX ANGLES	Tolerances: ±0.2 ±0.1 ±0.05 ±5	Material SEE NOTE
Drawn: CHC				
App'd: XXX	Title CABLE ASSEMBLY	NOT TO SCALE		
Date: 26 AUG '09	Revision: 1.1	Unit: mm		

www.gradconn.com

$\text{C}$  THIS DRAWING IS CONFIDENTIAL AND MUST NOT BE COPIED OR DISCLOSED WITHOUT WRITTEN CONSENT

Type: Cable 072 RF
CABLE 072 RF
Drawing Number:
Sheet 1 of 1
Drawing $\text{C}$ E and O E